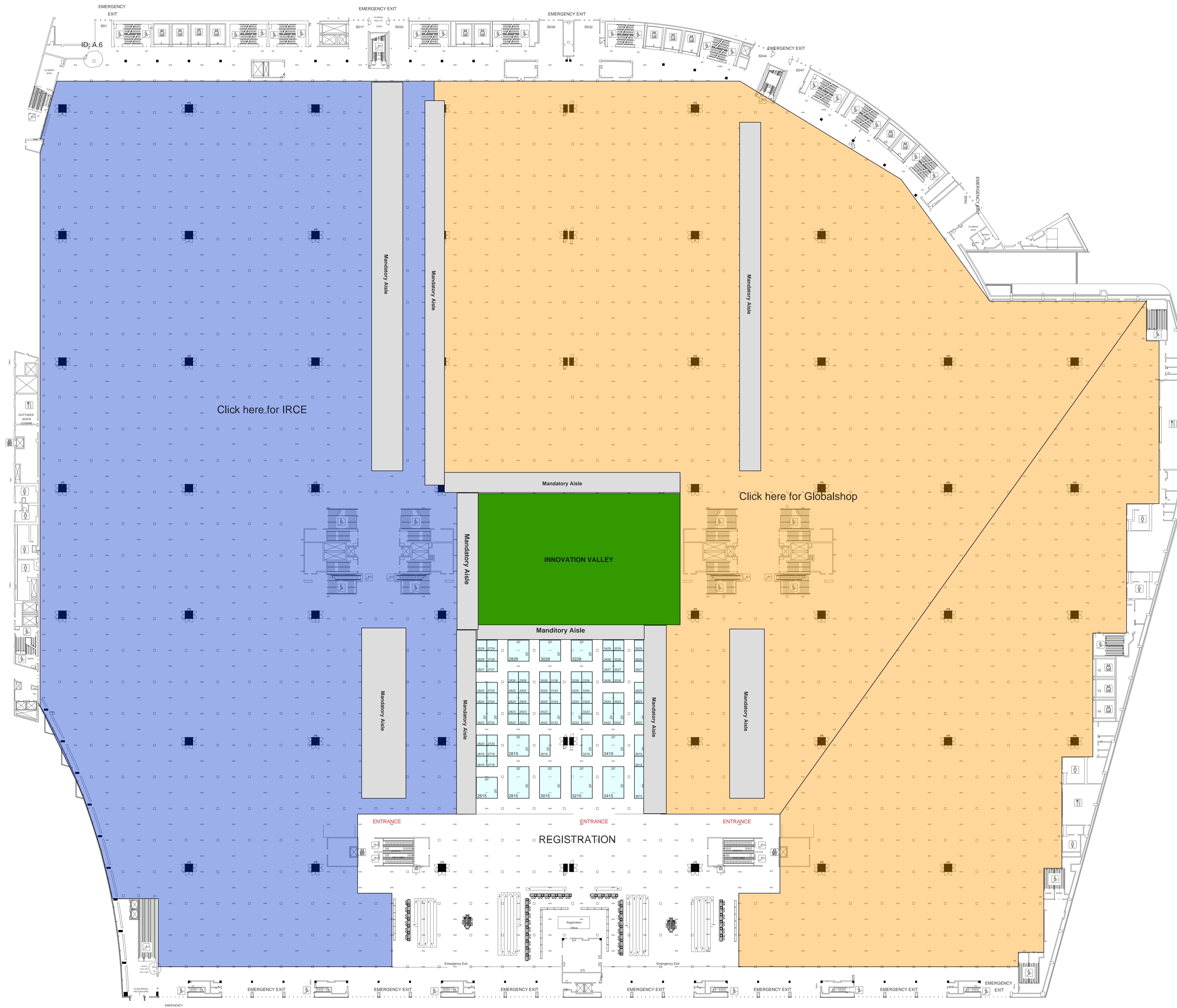


RETAIL X

JUNE 25-27, 2019

McCORMICK PLACE SOUTH, LEVEL 3, EXHIBIT HALL A
CHICAGO, ILLINOIS



FLOOR PLAN GENERAL NOTES

- FHEC - FIRE HOSE EXTINGUISHER CABINET
- FHC - FIRE HOSE CABINET
- FEC - FIRE EXTINGUISHER CABINET
- FHR - FIRE HOSE RACK
- FX - FIRE EXTINGUISHER
- EE - EMERGENCY EXIT
- DF - DRINKING FOUNTAIN

- EXHIBIT HALL:
- CEILING HEIGHT 40'
 - FLOOR LOAD - 400# PER SQ. FT.
- GRAND CONCOURSE LOBBY:
- CEILING HEIGHT 135' HIG
 - FLOOR LOAD - 100# PER SQ. FT.

THROUGH FOOD PODS (UNLESS APPROVED BY MCCORMICK PLACE)

ALL DRAPE LINES ARE SUBJECT TO CHANGE PER ON-SIGHT FIRE MARSHAL APPROVAL.

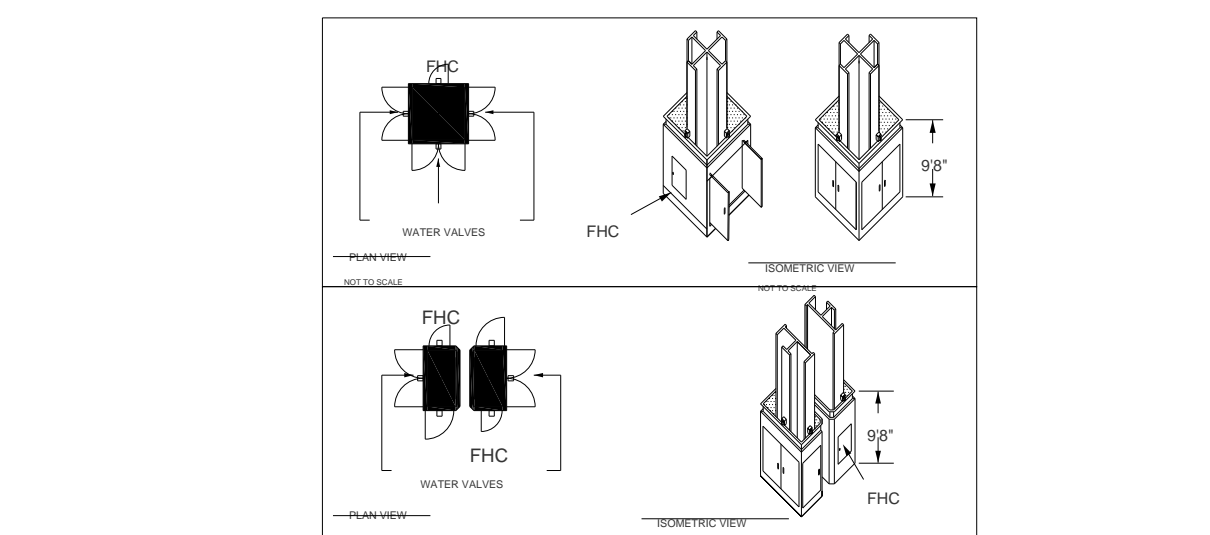
FLOOR PORTS LEGEND

- MECHANICAL FLOOR PORTS (EVERY 30' ON CENTER)
- 8" DRAIN FLOOR W/ FLOOR
 - 1" DOMESTIC WATER 60 PSIG
 - 1" COMPRESSED AIR 100PSI
 - 1" NATURAL GAS 1 PSI

- ELECTRICAL FLOOR PORTS (EVERY 45/30' ON CENTER)
- TYPE A
- 120V, SINGLE, 15 AMP
 - 208V, THREE, 30 AMP
 - 480V, THREE, 100 AMP
- TYPE B
- 120V, SINGLE, 15 AMP
 - 208V, THREE, 30 AMP
 - 208V, THREE, 60 AMP
- TYPE C
- 120V, SINGLE, 15 AMP
 - 208V, THREE, 30 AMP

INDIVIDUAL COLUMN DETAILS

- SINGLE COLUMN
- BASE COVER 7'6" x 7'6" x 98-1/2" HIGH
- SPLIT COLUMN
- BASE COVER 10'2" x 7'6" x 98-1/2" HIGH
- FIRE MUST HAVE TOTAL ACCESS
- WATER VALVES MUST HAVE LIMITED ACCESS
- FIRE STROBE SITS ON TOP OF EACH BOX OF COLUMN BASE (8" HIGH FROM THE FLOOR)
- ALL DOORS SWING OPEN 45°



ACCESS DEFINITIONS

- TOTAL ACCESS
- ENTIRE DOOR MUST BE COMPLETELY CLEAR TO NEAREST AISLE IN A DIRECT LINE AND COMPLETELY VISIBLE AT ALL TIMES
- LIMITED ACCESS
- NO IMPEDMENTS OR OBSTRUCTIONS MAY BE PLACED WITHIN THE 42" CLEARANCE AREA WHICH PROHIBIT THE COLUMN DOORS FROM OPENING QUICKLY AND COMPLETELY (42")
 - LIGHTED SIGN ITEMS SUCH AS CHAIRS, TABLES, ETC. ARE PERMISSIBLE AS WELL AS DRAPES PROVIDED THEY CAN BE MOVED QUICKLY BY ONE PERSON AND DO NOT PREVENT THE DOORS FROM FULLY OPENING